

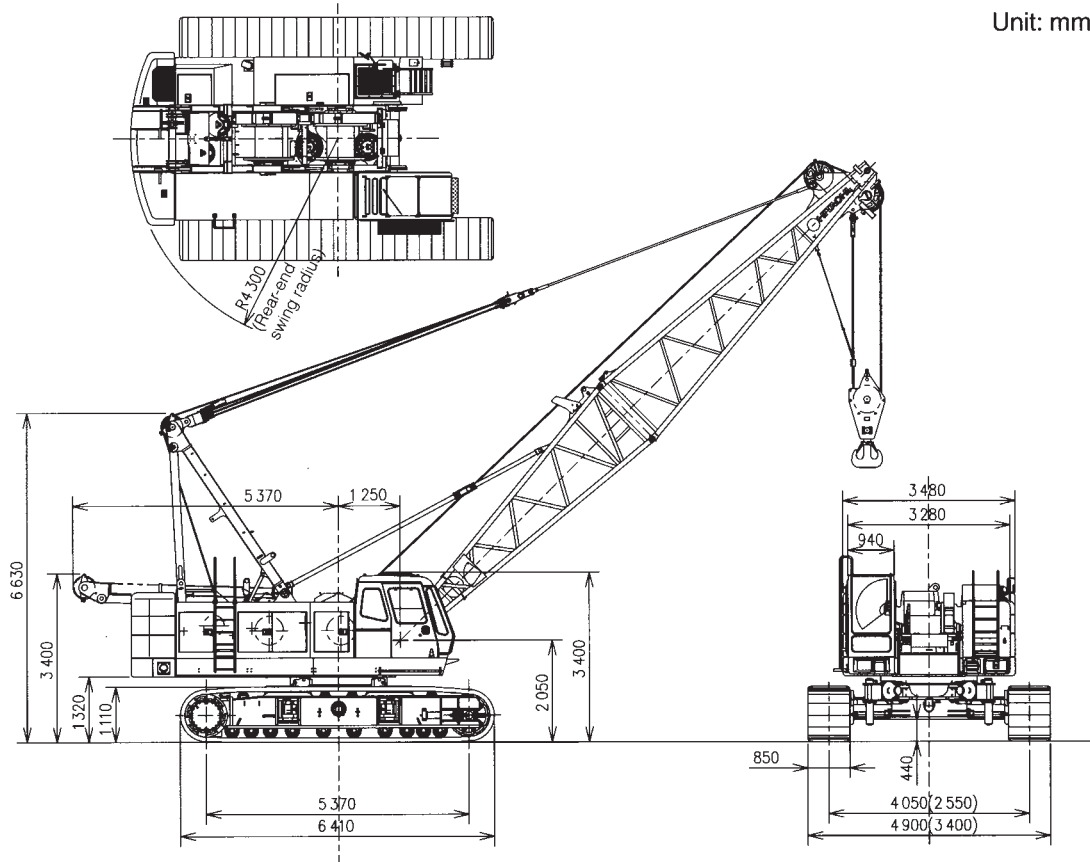
HITACHI CX900

HYDRAULIC CRAWLER CRANE

Max. Lifting Capacity: 90,000kg



Unit: mm



Dimensions shown in () are with tracks retracted.

Maximum rated load	ton x m	90 x 4.0
Basic boom length	m	13
Maximum boom length	m	55
Jib length	m	10 ~ 28
Maximum boom with jib length	m	49 + 28
Main hoist drum	m/min	*100/60/30
Auxiliary hoist drum	m/min	*100/60/30
Boom hoist drum	m/min	*55
Swing speed	min ⁻¹ (rpm)	2.7
Travel speed	km/h	*1.5/1.0
Gradeability	% (°)	30 (16°)
Engine model		MITSUBISHI 6D24-T
Rated power	kW/min ⁻¹ (PS/rpm)	183.8/2 000 *250/2 000
Ground pressure	kPa (kgf/cm ²)	89.0 (0.91)
Operating weight	ton	87.8 (Equipped with 13m boom & 90 ton capacity hook)

NOTE: Data expressed above are in SI units (International System of Unit), followed by data in conventional units in ().
 * Data in the crane mode will vary with the load.

CX900

DIMENSIONS AND WEIGHT OF EACH PART

Approximate weights and dimensions of disassembled units for transportation



TRANSPORTATION - Base Machine

Name	Height x Length x Width (mm)	Weight (kg)
Base Machine with Jack-up Devices (excluding floats), and without Main Hoist and Boom Hoist Wire Ropes, Bridles and Crawlers		32,600
Base Machine with Main Hoist and Boom Hoist Wire Ropes, Bridle, Lower Boom Stopper and Jack-up Devices (excluding floats) and without Crawlers		35,400
Base Machine with Jack-up Devices (excluding floats) and without Main Hoist and Boom Hoist Wire Ropes and Bridle.		52,000
Base Machine with Main Hoist and Boom Hoist Wire Ropes, Bridle, Lower Boom Stopper, Jack-up Devices (excluding floats)		54,800
Crawler		9,700
Counterweight (A) (Welding construction type)		10,400
Counterweight (B) (Welding construction type)		10,300
Counterweight (C) (Welding construction type)		10,300

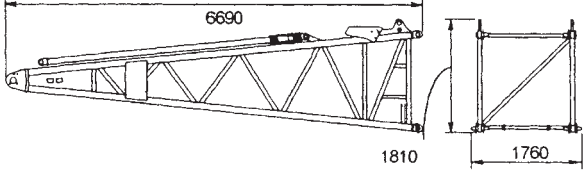
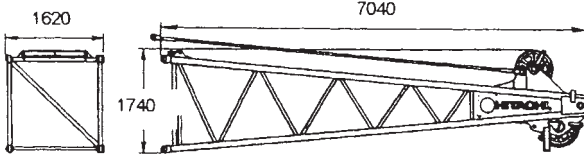
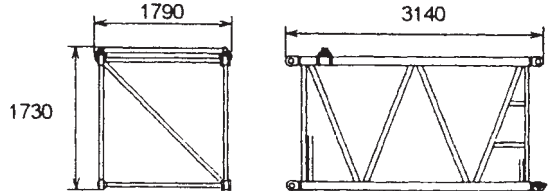
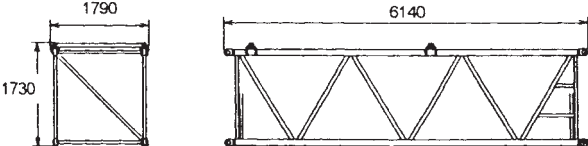
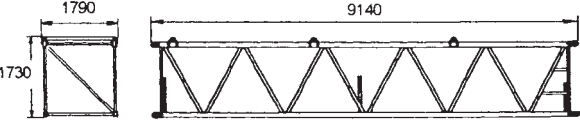
CX900

DIMENSIONS AND WEIGHT OF EACH PART

Approximate weights and dimensions of disassembled units for transportation



TRANSPORTATION - Front Attachment

Name	Height x Length x Width (mm)	Weight (kg)
Lower Boom with Joint Pins		1,400
Upper Boom with Pendant Rope		1,680
3m Extension Boom with Joint Pins and Pendant Rope		430
6m Extension Boom with Joint Pins and without Pendant Rope		700
9m Extension Boom with Joint Pins and without Pendant Rope		1,010