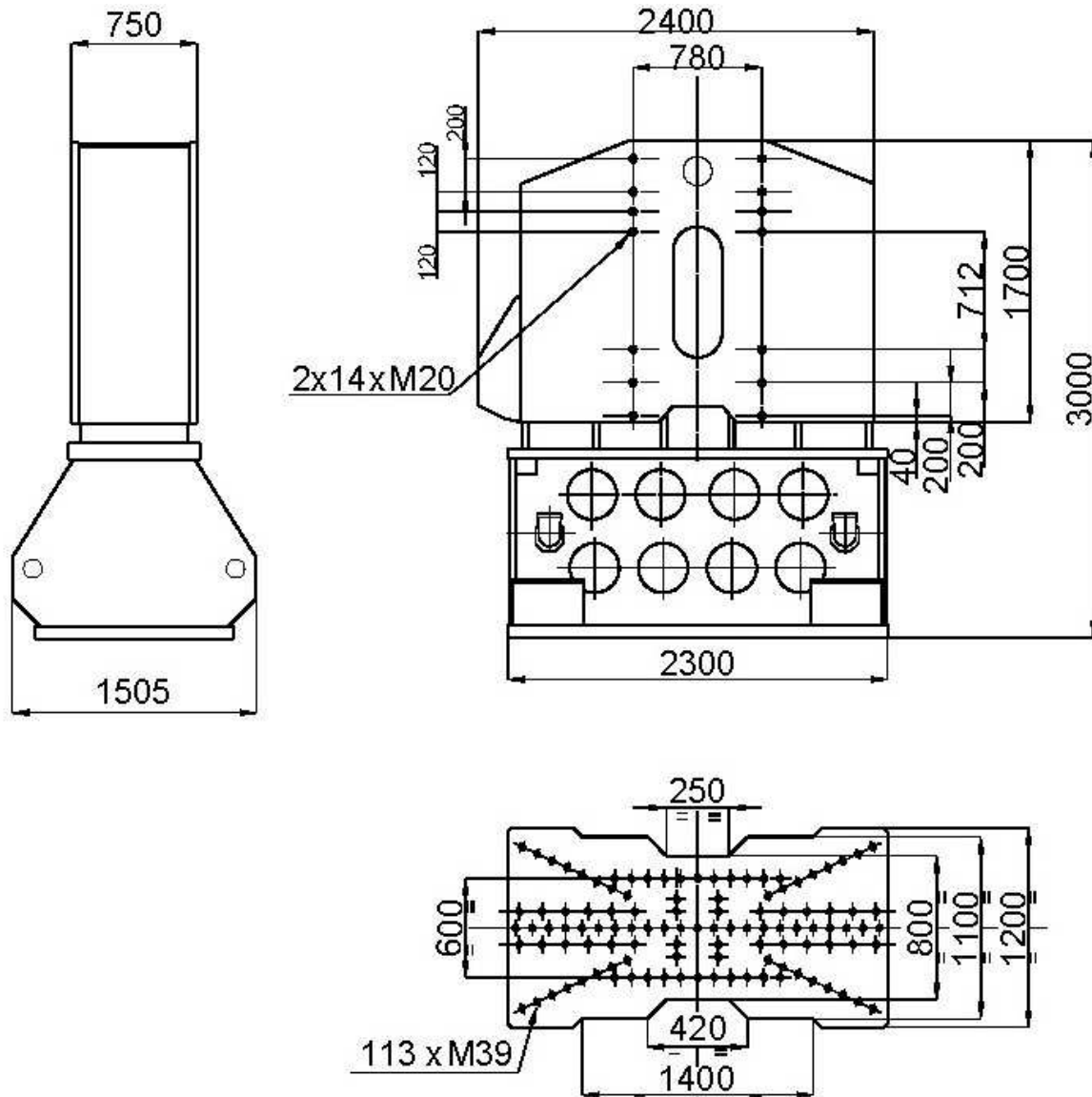


# 130HD



Eccentric moment	130	m.kg
Maximum hydraulic power	557 / 757	kW / HP
Maximum frequency	23 / 1380	Hz / rpm
Maximum centrifugal force	2768	kN
Maximum line pull / push capacity	1200	kN
Vibrating weight without clamp	8350	kg
Total weight without clamp	13450	kg
Maximum amplitude	31	mm
Length	2,300	m
Maximum width	1,505	m
Centre width	0,800	m
Height without clamp	3,000	m



**PTC**

158 rue Diderot – 93698 PANTIN CEDEX - France

Tel: +33.(0)1.49.42.72.95

Fax: +33.(0)1.48.44.00.02

E-mail: [contact@ptc.fayat.com](mailto:contact@ptc.fayat.com)

Site: [www.ptc.fayat.com](http://www.ptc.fayat.com)

