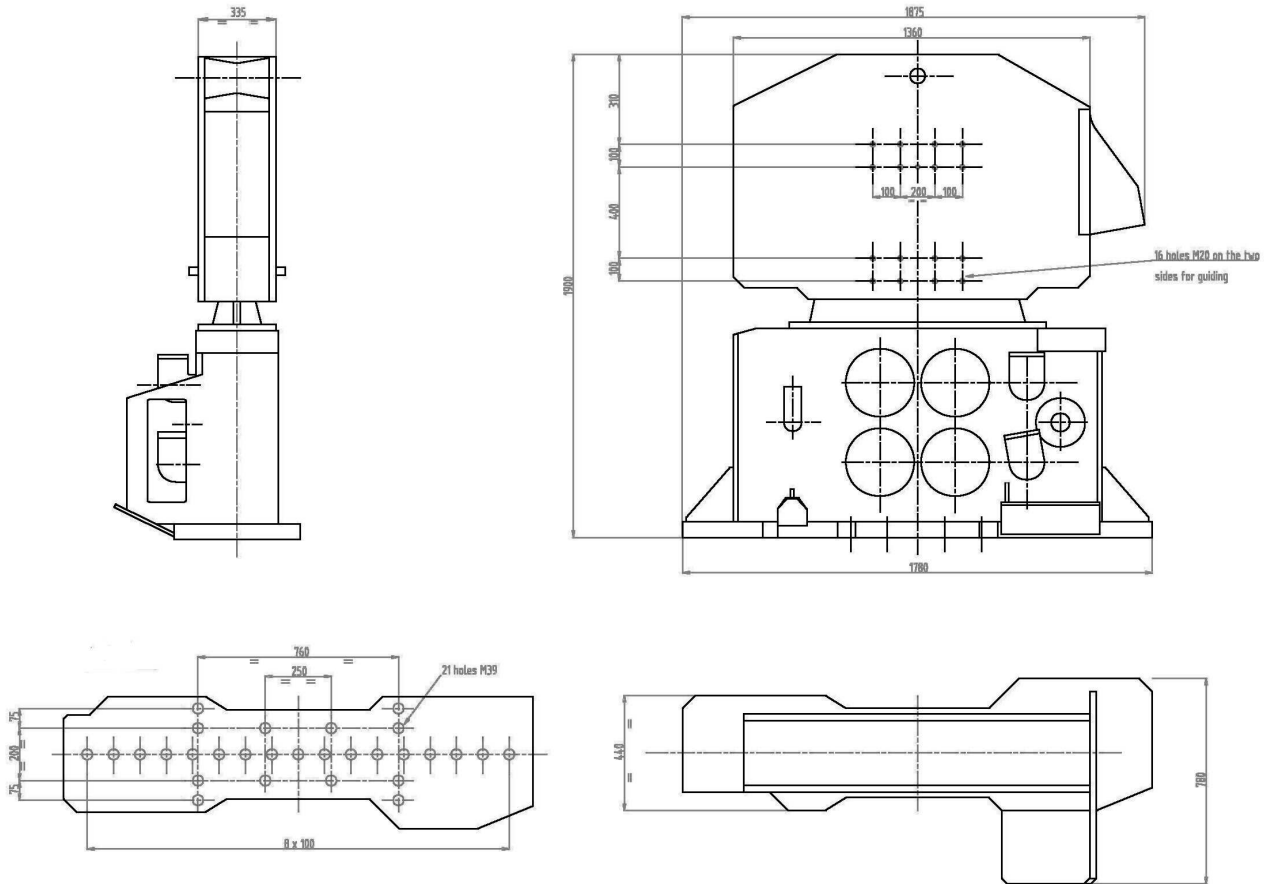


15HFV



Eccentric moment	0-15	m.kg
Maximum hydraulic power	155 / 210	kW / CV
Maximum frequency	38,3 / 2300	Hz / rpm
Maximum centrifugal force	887	kN
Maximum line pull / push capacity	300	kN
Vibrating weight without clamp	2200	kg
Total weight without clamp	3180	kg
Maximum amplitude	14	mm
Length	1,780	m
Maximum width	0,780	m
Centre width	0,340	m
Height without clamp	1,900	m



PTC

158 rue Diderot – 93698 PANTIN CEDEX - France

Tel: +33.(0)1.49.42.72.95

Fax: +33.(0)1.48.44.00.02

E-mail: contact@ptc.fayat.com

Site: www.ptc.fayat.com

