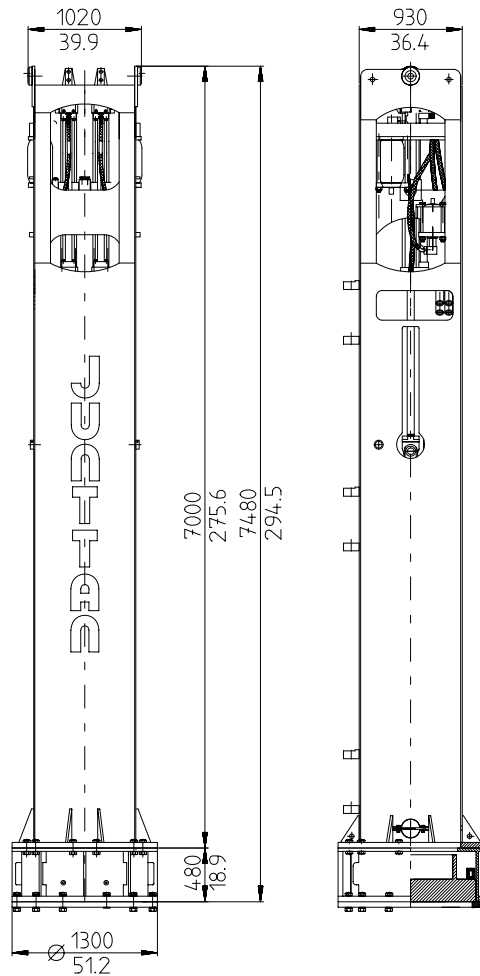


HHK 14A Hydraulic Impact Hammer



JUNTTAN HHK 14A		
Max. energy	kNm (ft-lbs)	164 (121 200)
Drop height	mm (inch)	50 - 1200 (2 - 47.2)
Blows per minute		40 - 100
Ram weight	kg (lb)	14 000 (30 860)
Total weight including A-type drive cap	kg (lb)	22 500 (49 600)
Oil flow	l/min (gpm)	800 (211)
Operating pressure	bar (PSI)	185 (2 683)
Hoses - pressure line	mm (inch)	2 x 38 (1 ½)
- return line		2 x 38 (1 ½)
Drive cap types		A for metal tubes B for concrete piles
Drive cap max. inner diameter	mm (inch)	A: O 1030 (40.55) B: □ 670x670 (26.4 x 26.4)
Larger drive cap diameters available on special request		
Suitable power packs		15 CCU - 30 CCU
Optional equipment		
<ul style="list-style-type: none"> • guide claws • energy measurement device 	<ul style="list-style-type: none"> • additional drive caps • pile sleeves • lifting cat 	<ul style="list-style-type: none"> • power packs • additional noise insulation package

Junttan Oy reserves the right to amend the specification without prior notice. Error and misprints reserved. 3 March 2005 - version M1HHK14A001.