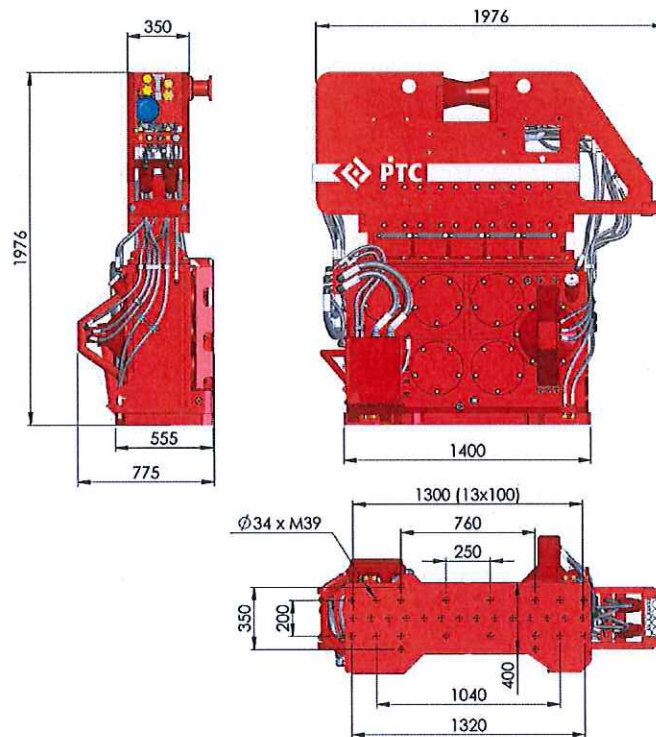


Vibrodriver 16HFV



For pile driving and deep foundation



Technical specifications

Eccentric moment	0-16	m.kg
Maximum hydraulic power	227 / 308	kW / HP
Oil flow	378	L/min
Maximum frequency	38,3 / 2300	Hz / rpm
Maximum centrifugal force	946	kN
Maximum line pull capacity	240	kN
Vibrating weight without clamp	2400	kg
Total weight without clamp	3635	kg
Maximum amplitude	13,3	mm
Length	1,976	m
Maximum width	0,775	m
Centre width	0,400	m
Height without clamp	1,976	m