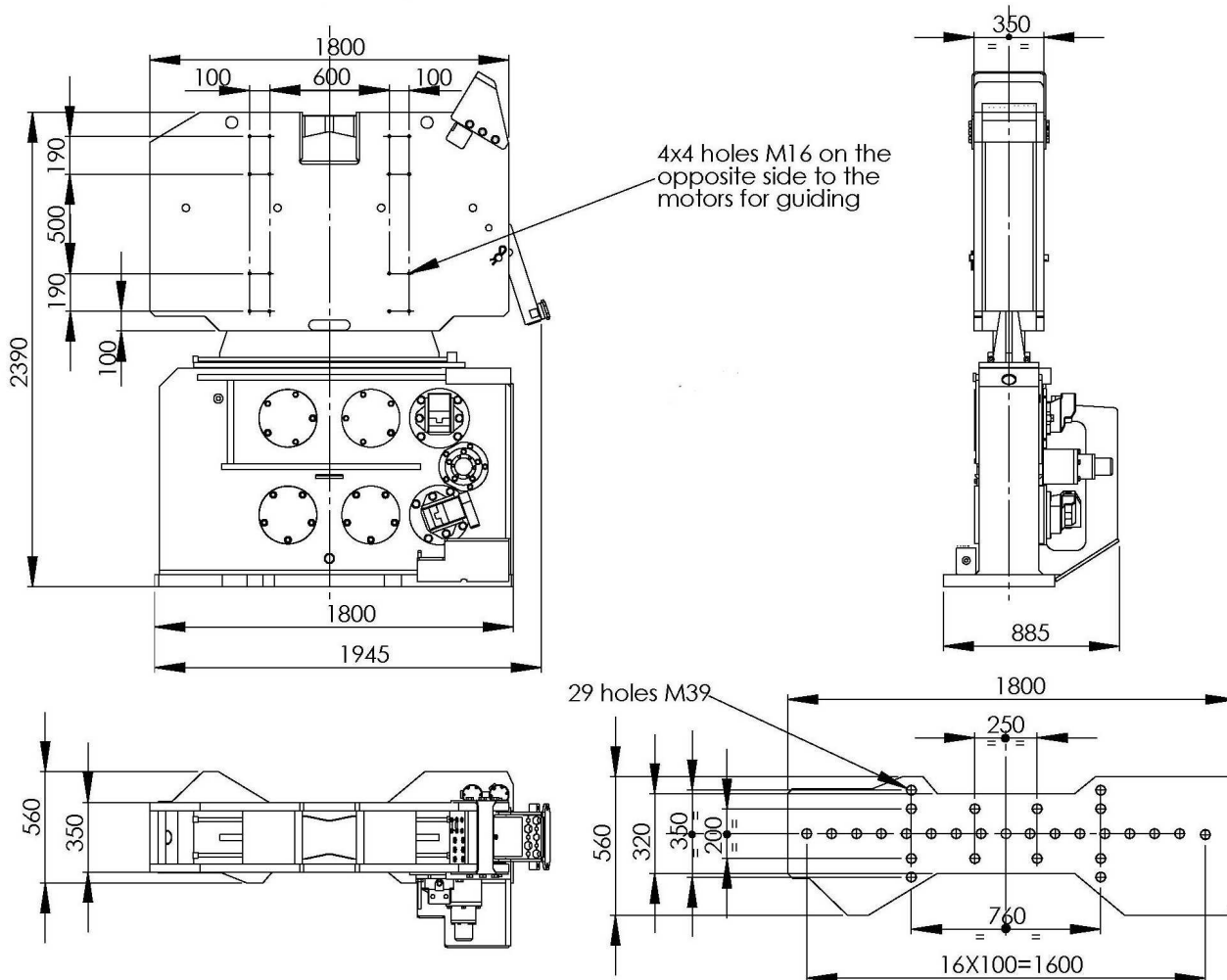


30HV



| | | |
|-----------------------------------|-----------|----------|
| Eccentric moment | 0-30 | m.kg |
| Maximum hydraulic power | 221 / 301 | kW / CV |
| Maximum frequency | 27 / 1620 | Hz / rpm |
| Maximum centrifugal force | 880 | kN |
| Maximum line pull / push capacity | 360 | kN |
| Vibrating weight without clamp | 2900 | kg |
| Total weight without clamp | 4400 | kg |
| Maximum amplitude | 21 | mm |
| Length | 1,800 | m |
| Maximum width | 0,875 | m |
| Centre width | 0,340 | m |
| Height without clamp | 2,400 | m |



PTC

158 rue Diderot – 93698 PANTIN CEDEX - France

Tel: +33.(0)1.49.42.72.95

Fax: +33.(0)1.48.44.00.02

E-mail: contact@ptc.fayat.com

Site: www.ptc.fayat.com

